

Airplane Light 100

PENDANT INDUSTRIAL LUMINAIRE



NL-APL-230x200-96W-xx

PRODUCT SPECIFICATIONS

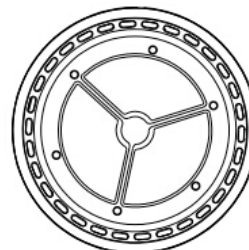
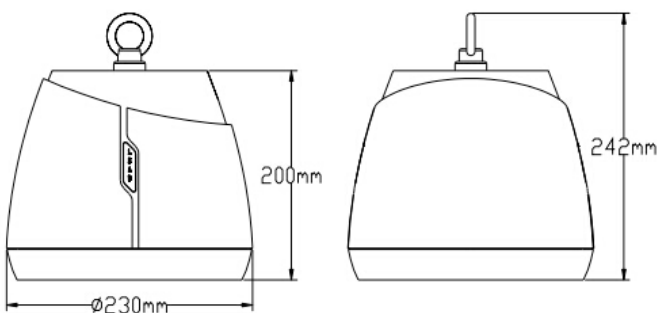
Product code	NL-APL-230x200-96W-xx
Voltage	220 V - 240 V
LED driver	Mean Well HBG-100-36A
System power	96 W
Frequency	50–60 Hz
Power factor (PF)	0,95
LED type	Alder AS-5258WxA2-C2C210-0303
Number of LEDs	72 pcs
Beam angle	100°
PCB material	aluminum
Dimensions	∅230mm x 200mm
Weight	3,3 kg
Protection	IP65
Operating temperature (tc)	-20° C – +68° C
Ambient temperature (ta)	-20° C – +45° C
Lifetime (L70)	70 000 h
Color rendering index	Ra>80
Housing color	black-white



MADE IN EU

IP65

100°



The light fixture is mounted as a pendant luminaire



Airplane Light 100

PENDANT INDUSTRIAL LUMINAIRE



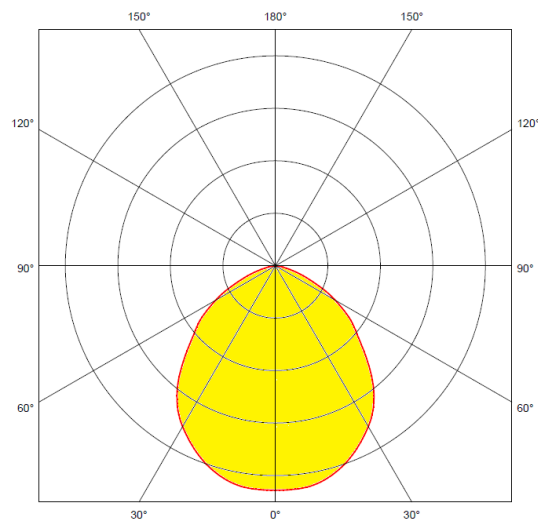
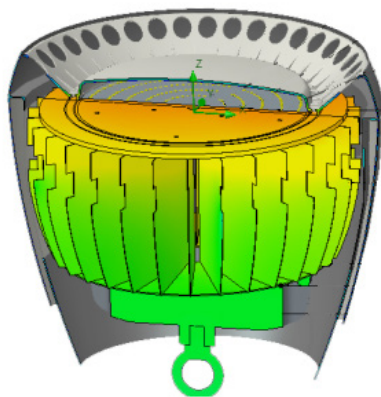
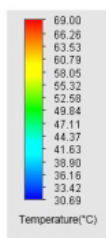
COLOR TEMPERATURE AND LUMINOUS FLUX

order no.	product code	diffuser / angle	CCT	color temperature	luminous flux
51680-50	NL-APL-230x200-96W-WD	clear / 100°	5 000 K	daylight white	13 910 lm
51680-40	NL-APL-230x200-96W-WN	clear / 100°	4 000 K	normal white	13 910 lm

PRODUCT FEATURES

The Airplane Light uses an innovative cooling system that guarantees a long service life. In combination with the latest ALDER LED technology, there is a premium product which design is destined for use in the commercial sector.

The APL series is suitable for shopping centers, exhibition centers, theaters, libraries, etc.



The construction ensures excellent air flow and cooling

SIMILAR PRODUCTS: Airplane Light 200

order no.	product code	diffuser / angle	CCT	color temperature	luminous flux
51955-50	NL-APL-310x265-198W-WD	clear / 100°	5 000 K	daylight white	28 680 lm
51955-40	NL-APL-310x265-198W-WN	clear / 100°	4 000 K	normal white	28 680 lm