

NL-BLD-160x980-xxW-yy

PRODUCT SPECIFICATIONS

Product code	NL-BLD-160x980-xxW-yy
Voltage	220 V - 240 V
LED driver	TRIDONIC
System power	10W, 14W, 20W, 24W, 28W
Frequency	50–60 Hz
Power factor (PF)	0,95
LED type	Alder AS-3030WxA2-C2C150-0201-YC8-C
Number of LEDs	60 pcs
Beam angle	150°
PCB material	hliník
Dimensions	Ø160mm x 980mm
Weight	6,2 kg
Protection	IP65
Ambient temperature (ta)	-20° C – +45° C
Lifetime (L70)	min. 75 000 h
Color rendering index	Ra>80
Color tolerance	3 SDCM
Housing color	dark grey

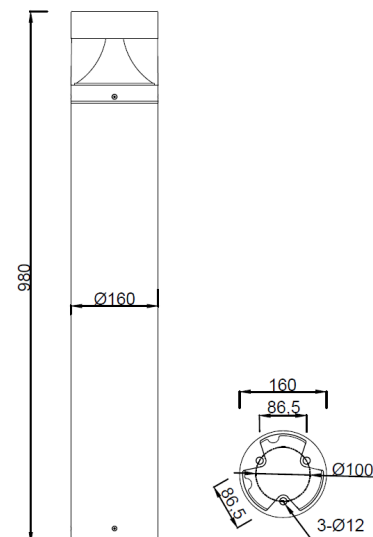


MADE IN EU

IP65

IK08

140°



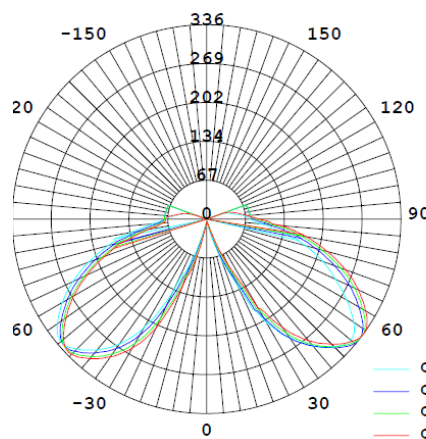
COLOR TEMPERATURE AND LUMINOUS FLUX

order no.	product code	power	color temperature	CCT	luminous flux
54340-50	NL-BLD-160x980-10W-WD	10 W	daylight white	5 000 K	865 lm
54340-40	NL-BLD-160x980-10W-WN	10 W	normal white	4 000 K	865 lm
54340-30	NL-BLD-160x980-10W-WW	10 W	warm white	3 000 K	805 lm
54342-50	NL-BLD-160x980-14W-WD	14 W	daylight white	5 000 K	1 205 lm
54342-40	NL-BLD-160x980-14W-WN	14 W	normal white	4 000 K	1 205 lm
54342-30	NL-BLD-160x980-14W-WW	14 W	warm white	3 000 K	1 120 lm
54345-50	NL-BLD-160x980-20W-WD	20 W	daylight white	5 000 K	1 540 lm
54345-40	NL-BLD-160x980-20W-WN	20 W	normal white	4 000 K	1 540 lm
54345-30	NL-BLD-160x980-20W-WW	20 W	warm white	3 000 K	1 430 lm
54347-50	NL-BLD-160x980-24W-WD	24 W	daylight white	5 000 K	1 840 lm
54347-40	NL-BLD-160x980-24W-WN	24 W	normal white	4 000 K	1 840 lm
54347-30	NL-BLD-160x980-24W-WW	24 W	warm white	3 000 K	1 710 lm
54349-50	NL-BLD-160x980-28W-WD	28 W	daylight white	5 000 K	2 120 lm
54349-40	NL-BLD-160x980-28W-WN	28 W	normal white	4 000 K	2 120 lm
54349-30	NL-BLD-160x980-28W-WW	28 W	warm white	3 000 K	1 980 lm

PRODUCT FEATURES

The BLD series of park luminaires is designed as exterior LED lighting for parks, public spaces, hotels, commercial buildings, schools, etc.

The robust luminaire body is made of die-cast aluminum and extruded aluminum alloy with a high-quality surface finish. The transparent polycarbonate diffuser is designed to withstand high temperatures and ultraviolet radiation.



Indirect lighting creates a pleasant atmosphere without glare.

