

EOS 135W

LUMINAIRE FOR HIGH TEMPERATURES



NL-EOS-290×160-135W-WD

PRODUCT SPECIFICATIONS

Product code	NL-EOS-290×160-135W-WD
Voltage	220 V - 240 V
System power	135 W
Frequency	50 Hz ± 5%
Power factor (PF)	> 0,95
LED type	Alder AS-5258WxA2-C2C210-0303
Number of LEDs	328 pcs
Beam angle	120°, 60°
PCB material	aluminum
Dimensions	Ø290mm × 161mm (298mm with bracket)
Weight	8,5 kg
Protection	IP65
Operating temperature (ta)	-30° C – +75° C
Lifetime (L70)	70 000 h
Color rendering index	Ra > 80
Housing color	grey



MADE IN GERMANY

IP65

TA=75°C

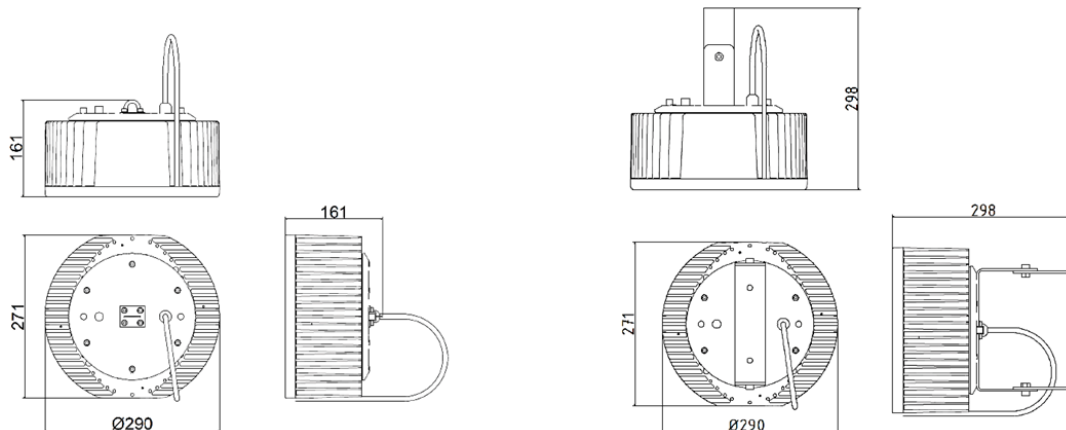


DALI

1-10V

120°

60°



The EOS luminaire is manufactured in Germany and is suitable for environments with high ambient temperature (up to 75 °C). With a luminous intensity of 19.000lm and using high-performance optics (60°), it's designed for mounting heights of 6-30 metres. The light fixture can be mounted with brackets directly to the ceiling or as a pendant luminaire.

COLOR TEMPERATURE AND LUMINOUS FLUX

order no.	product code	diffuser / angle	CCT	color temperature	luminous flux
98431-50	NL-EOS-290X160-135W-WD	clear / 120°	5 000 K	daylight white	19 000 lm
98432-50	NL-EOS-290X160-135W-WD-60	lenses / 60°	5 000 K	daylight white	19 000 lm