

# Arena Pro HLC 145W

## INDUSTRIAL LUMINAIRE



## NL-HLC-320×220-145W-xx-z

### PRODUCT SPECIFICATIONS

Product code	NL-HLC-320×220-145W-xx-z
Voltage	220 V - 240 V
System power	145 W
Frequency	50–60 Hz
Power factor (PF)	> 0,95
LED type	AS-5258WxA2-C2C210-0303
Number of LEDs	160 pcs
Beam angle	60°, 60°/90°
PCB material	aluminum
Dimensions	323 mm × 220 mm × 176 mm
Weight	4,1 kg
Protection	IP65
Operating temperature (tc)	-20° C – +68° C
Ambient temperature (ta)	-20° C – +45° C
Lifetime (L70)	min. 70 000 h
Color rendering index	Ra > 80
Housing color	light grey



MADE IN EU

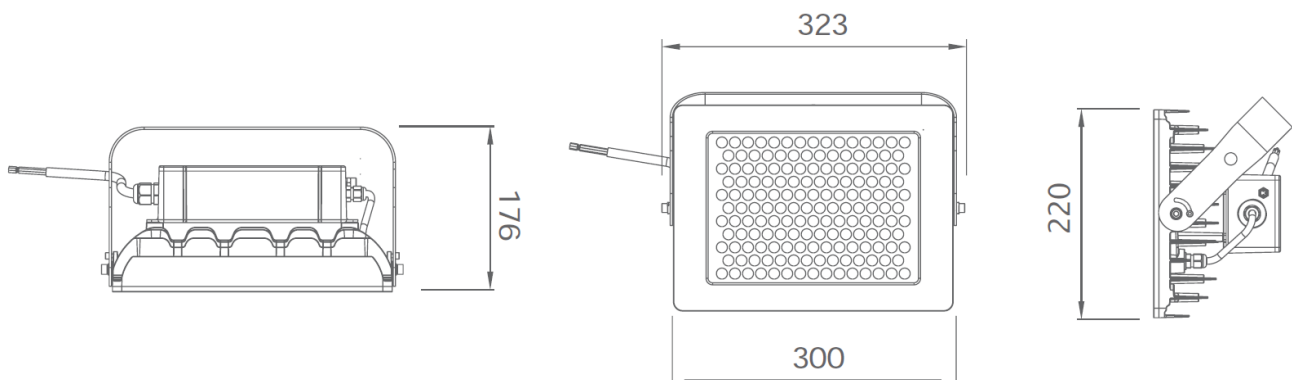
150 LM/W

60°

60°/90°

IP65

0-10V



*The solid die-cast aluminum housing is equipped with a rotatable bracket made of stainless steel.*

# Arena Pro HLC 145W

## INDUSTRIAL LUMINAIRE



### PRODUCT FEATURES

The Arena Pro HLC is designed especially for industrial and sports halls.

A robust aluminum body ensures perfect heat dissipation and forms a load-bearing structure with high strength. The Arena Pro HLC is designed in a simple design and thanks to its rotatable bracket it is practically usable in various spaces.

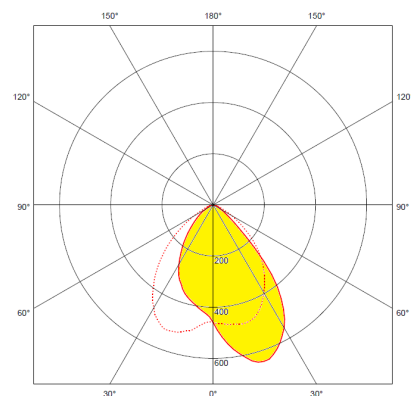
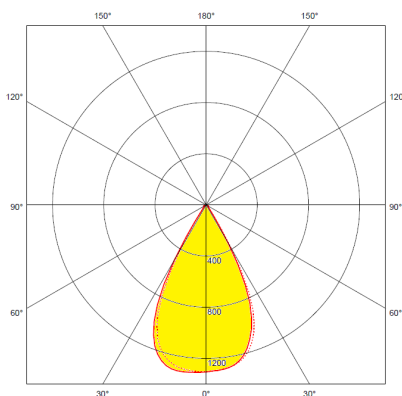
IP65 protection is suitable for both indoor and outdoor use.

With beam angles of 60° and 60°/90°, the light fixture is ideal for installation at different heights and situations.



### COLOR TEMPERATURE AND LUMINOUS FLUX

order no.	product code	diffuser / angle	CCT	color temperature	luminous flux
98337-65	NL-HLC-320×220-145W-WC-60	optics / 60°	6 500 K	cold white	21 260 lm
98337-50	NL-HLC-320×220-145W-WD-60	optics / 60°	5 000 K	daylight white	21 980 lm
98337-40	NL-HLC-320×220-145W-WN-60	optics / 60°	4 000 K	normal white	21 980 lm
98337-30	NL-HLC-320×220-145W-WW-60	optics / 60°	3 000 K	warm white	19 770 lm
98327-65	NL-HLC-320×220-145W-WC-6090	optics / 60°/90°	6 500 K	cold white	21 260 lm
98327-50	NL-HLC-320×220-145W-WD-6090	optics / 60°/90°	5 000 K	daylight white	21 980 lm
98327-40	NL-HLC-320×220-145W-WN-6090	optics / 60°/90°	4 000 K	normal white	21 980 lm
98327-30	NL-HLC-320×220-145W-WW-6090	optics / 60°/90°	3 000 K	warm white	19 770 lm



### OTHER HLC SERIES PRODUCTS

The HLC luminaire is also available in a variant without optics with a beam angle of 120°.