

## NL-HLE-337x235-200W-xx-z

### PRODUCT SPECIFICATIONS

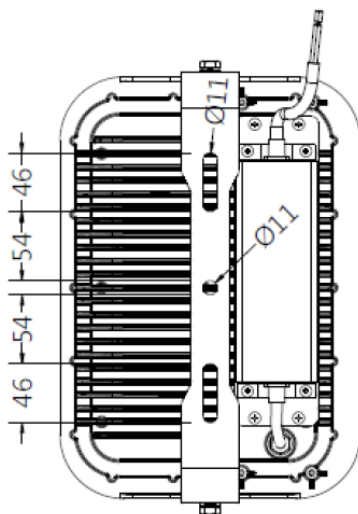
Product code	NL-HLE-337x235-200W-xx-z
Voltage	100 V -305 V
LED driver	MEAN WELL
System power	200 W
Frequency	50–60 Hz
Power factor (PF)	> 0,95
LED type	Alder AS-5258WxA2-C2C210-0303
Number of LEDs	160 pcs
Beam angle	120°, 60°
PCB material	aluminum
Dimensions	337 mm × 235 mm x 150 mm
Weight	4,4 kg
Protection	IP66
Operating temperature (tc)	-20° C – +68° C
Ambient temperature (ta)	-20° C – +45° C
Lifetime (L70)	80 000 h
Color rendering index	Ra>80
Housing color	white



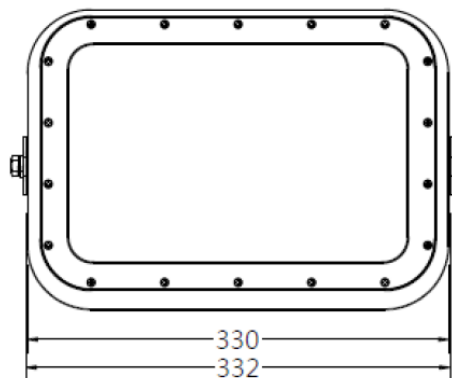
IP66

120°

60°



Adjustable tilt angle



Robust aluminum construction



# HLE 200W

## INDUSTRIAL LUMINAIRE



### PRODUCT FEATURES

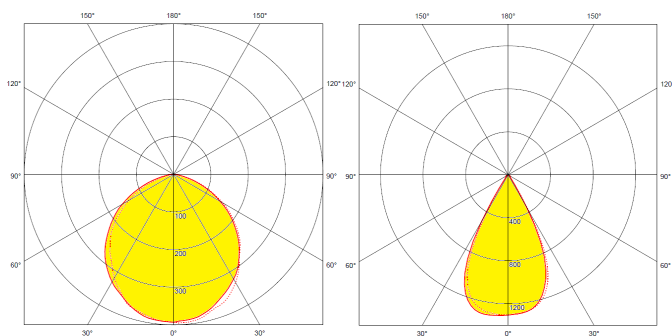
HLE luminaires provide quality and comfortable light for various industrial environments. They offer a classic design with exceptional performance and high reliability.

IP66 protection is suitable for both indoor and outdoor use.

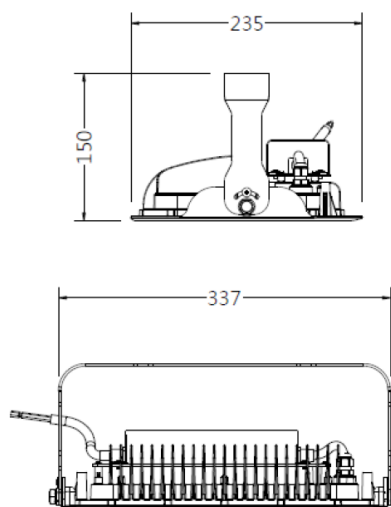
The HLE series is available in two variants with different lighting angles: 120° and 60°.

### COLOR TEMPERATURE AND LUMINOUS FLUX

order no.	product code	diffuser / angle	CCT	color temperature	luminous flux
98251-50	NL-HLE-337x235-200W-WD	clear / 120°	5 000 K	daylight white	29 200 lm
98251-40	NL-HLE-337x235-200W-WN	clear / 120°	4 000 K	normal white	29 200 lm
98252-50	NL-HLE-337x235-200W-WD-60	lenses / 60°	5 000 K	daylight white	29 200 lm
98252-40	NL-HLE-337x235-200W-WD-60	lenses / 60°	4 000 K	normal white	29 200 lm



With several possible beam angles, the luminaire is ideal for installation in different heights and situations.



### SIMILAR PRODUCTS:

#### Sirius HLE 100W

order no.	product code	diffuser / angle	CCT	color temperature	luminous flux
98255-50	NL-HLE-272x207-100W-WD	clear / 120°	5 000 K	daylight white	14 600 lm
98255-40	NL-HLE-272x207-100W-WN	clear / 120°	4 000 K	normal white	14 600 lm
98256-50	NL-HLE-272x207-100W-WD-60	lenses / 60°	5 000 K	daylight white	14 600 lm
98256-40	NL-HLE-272x207-100W-WN-60	lenses / 60°	4 000 K	normal white	14 600 lm