

PST 40W

POST-TOP LUMINAIRE



NL-PST-400x590-40W-xx-yy

PRODUCT SPECIFICATIONS

Product code	NL-PST-400x590-40W-xx-yy
Voltage	220 V - 240 V
LED driver	Meanwell
System power	40 W
Frequency	50–60 Hz
Power factor (PF)	0,95
LED type	Alder AS-3030WNA2-C2C150-0201-YC8-C
Number of LEDs	64 pcs
Beam angle	150°/65° (T2), 150° (T5)
PCB material	aluminum
Dimensions	Ø400mm x 589mm
Weight	9,5 kg
Protection	IP65
Ambient temperature (ta)	-20° C – +45° C
Lifetime (L80)	min. 80 000 h
Color rendering index	Ra>80
Color tolerance	3 SDCM
Housing color	dark grey

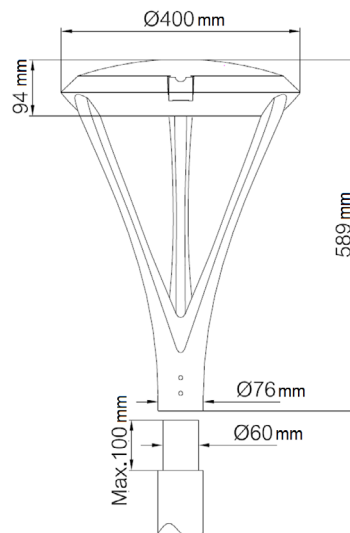


MADE IN EU

IP65

IK08

T2, T5



COLOR TEMPERATURE AND LUMINOUS FLUX

order no.	product code	beam angle	CCT	color temperature	luminous flux
54364-65	NL-PST-400x590-40W-WC-T2	T2 (150°/65°)	6 500 K	kaltweiß	5 040 lm
54364-50	NL-PST-400x590-40W-WD-T2	T2 (150°/65°)	5 000 K	daylight white	5 040 lm
54364-40	NL-PST-400x590-40W-WN-T2	T2 (150°/65°)	4 000 K	normal white	5 040 lm
54364-30	NL-PST-400x590-40W-WW-T2	T2 (150°/65°)	3 000 K	warm white	4 540 lm
54367-65	NL-PST-400x590-40W-WC-T5	T5 (150°)	6 500 K	kaltweiß	5 160 lm
54367-50	NL-PST-400x590-40W-WD-T5	T5 (150°)	5 000 K	daylight white	5 160 lm
54367-40	NL-PST-400x590-40W-WN-T5	T5 (150°)	4 000 K	normal white	5 160 lm
54367-30	NL-PST-400x590-40W-WW-T5	T5 (150°)	3 000 K	warm white	4 680 lm

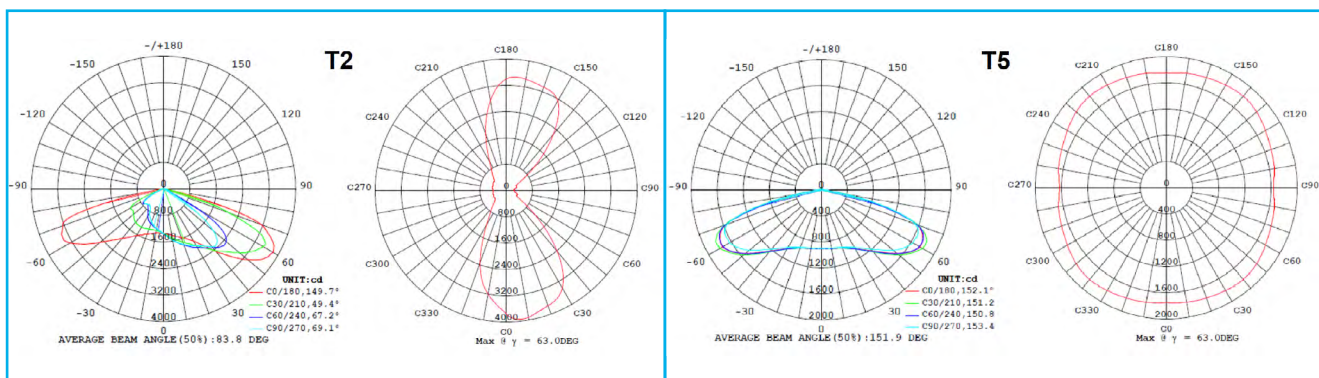
PRODUCT FEATURES

The PST 40W luminaire, manufactured using the latest Alder LED technology, is designed for outdoor lighting of pedestrian zones, lower-class roads, parks, sidewalks, and parking lots.

The PST luminaire series provides excellent lighting levels and is aesthetically suitable for all public spaces, from village parks to city centers.

Asymmetric T2 optics and symmetric T5 optics are available.

The luminaire includes an integrated surge protection and ventilation gland. It can be mounted on a pole with a maximum diameter of 60 mm.



Asymmetric T2 optics and symmetric T5 optics are available.

SIMILAR PRODUCTS: PST 24W

order no.	product code	beam angle	CCT	color temperature	luminous flux
54360-65	NL-PST-400x590-24W-WC-T2	T2 (150°/65°)	6 500 K	kaltweiß	3 080 lm
54360-50	NL-PST-400x590-24W-WD-T2	T2 (150°/65°)	5 000 K	daylight white	3 080 lm
54360-40	NL-PST-400x590-24W-WN-T2	T2 (150°/65°)	4 000 K	normal white	3 080 lm
54360-30	NL-PST-400x590-24W-WW-T2	T2 (150°/65°)	3 000 K	warm white	2 810 lm
54363-65	NL-PST-400x590-24W-WC-T5	T5 (150°)	6 500 K	kaltweiß	3 210 lm
54363-50	NL-PST-400x590-24W-WD-T5	T5 (150°)	5 000 K	daylight white	3 210 lm
54363-40	NL-PST-400x590-24W-WN-T5	T5 (150°)	4 000 K	normal white	3 210 lm
54363-30	NL-PST-400x590-24W-WW-T5	T5 (150°)	3 000 K	warm white	2 920 lm