

NL-SWLA-398×228-150W-xx-z

PRODUCT SPECIFICATIONS

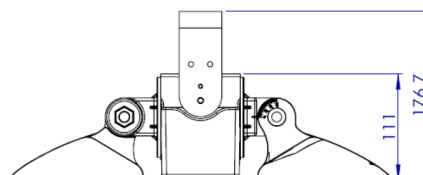
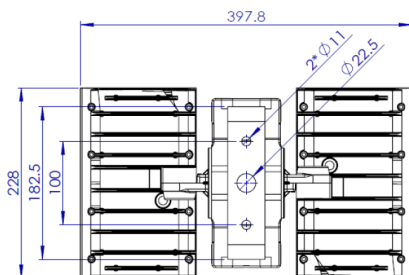
Product code	NL-SWLA-398×228-150W-xx-z
Voltage	90 V - 305 V
System power	150 W
Frequency	50–60 Hz
Power factor (PF)	> 0,95
LED type	Alder AS-5258WxA2-C2C210-0303
Number of LEDs	120 pcs
Beam angle	120°, 50°
PCB material	aluminum
Dimensions	398 mm × 228 mm × 177 mm
Weight	5 kg
Protection	IP65
Ambient temperature (ta)	-20° C – +45° C
Lifetime (L70)	70 000 h
Color rendering index	Ra > 80
Housing color	white



IP65

120°

50°



Great variability of lighting thanks to adjustable light modules.



SWLA 150W

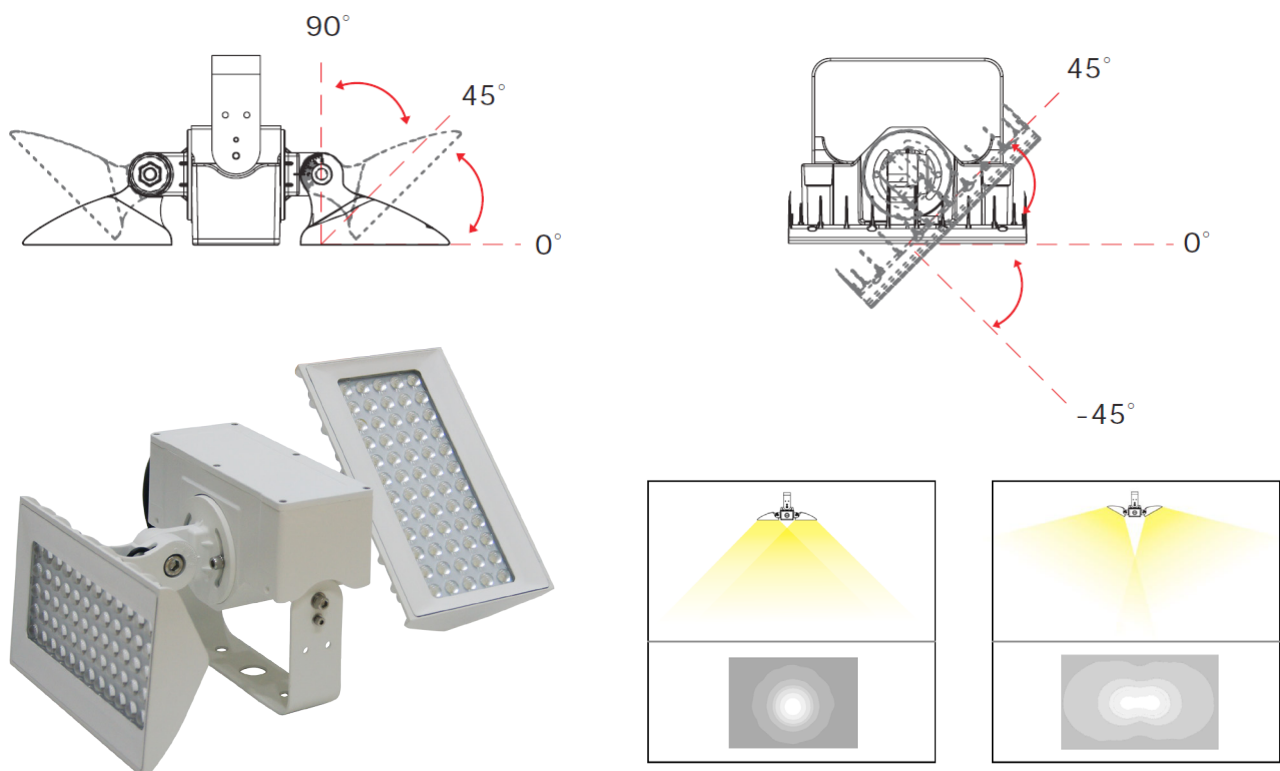
INDUSTRIAL LUMINAIRE



PRODUCT FEATURES

The SWLA 150W with IP65 protection is suitable for indoor and outdoor use. Its adjustable construction allows lighting of various layouts. The luminaire is suitable for lighting aisles in a shop, production or warehouse and for lighting large areas such as production areas, warehouses, cold stores, parking lots and supermarkets.

The luminaire is available in two versions with different beam angles: 120° and 50°. The light modules can be flexibly adjusted from 0 to 90 degrees.



COLOR TEMPERATURE AND LUMINOUS FLUX

order no.	product code	diffuser / angle	CCT	color temperature	luminous flux
98351	NL-SWLA-398×228-150W-WD	clear / 120°	5 000 K	daylight white	19 800 lm
98352	NL-SWLA-398×228-150W-WN	clear / 120°	4 000 K	normal white	19 800 lm
98356	NL-SWLA-398×228-150W-WD-50	lenses / 50°	5 000 K	daylight white	19 500 lm
98357	NL-SWLA-398×228-150W-WN-50	lenses / 50°	4 000 K	normal white	19 500 lm