

# VFF 100W

## OUTDOOR LUMINAIRE



## NL-VFF-463x320-100W-xx-z

### PRODUCT SPECIFICATIONS

Product code	NL-VFF-463x320-100W-xx-z
Voltage	105 V - 305 V
LED driver	Meanwell, Inventronics
System power	100 W
Max. qty on cir. br. 16A (C)	14 luminaires
Frequency	50–60 Hz
Power factor (PF)	0,95
LED type	Alder AS-5258WxA2-C2C210-0303
Number of LEDs	48 pcs
Beam angle	120°, 90°, 60°, T2, T3
PCB material	aluminum
Dimensions	463mm x 320mm x 85mm
Weight	4,8 kg
Protection	IP65
Ambient temperature (ta)	-20° C – +45° C
Lifetime (L80)	min. 80 000 h
Color rendering index	Ra>80
Color tolerance	3 SDCM
Housing color	grey



MADE IN EU

120°

90°

60°

T2

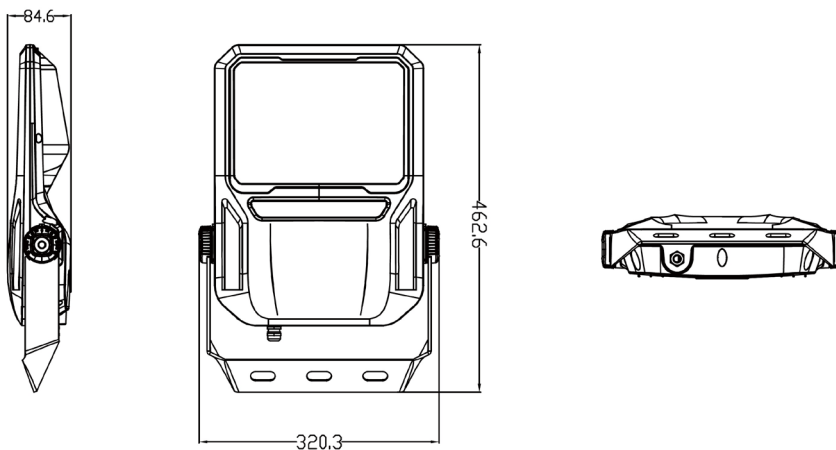
T3

IP65

DALI

1-10V

EMERG.



# VFF 100W

## OUTDOOR LUMINAIRE



### PRODUCT FEATURES

The VFF luminaire is primarily designed for illuminating courtyards, squares, sports facilities, loading zones, and parking areas. It can also be used for lighting historical monuments and buildings, as well as for general lighting in industrial interiors.

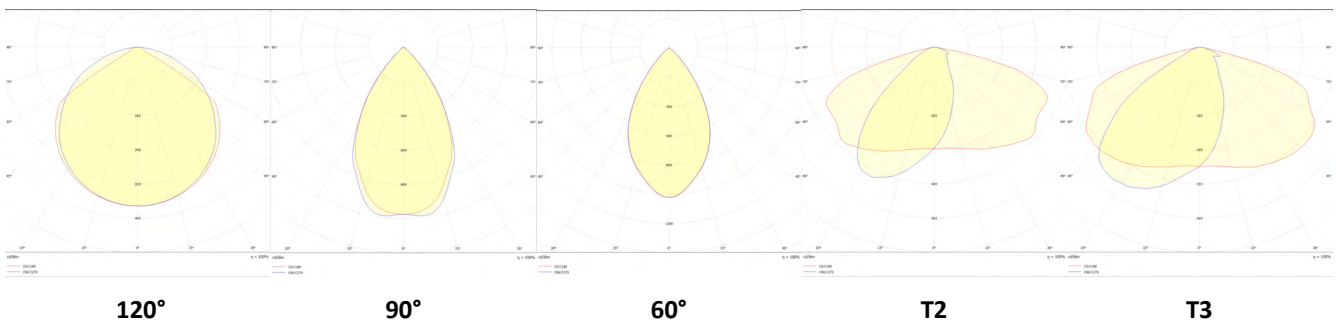
Various beam angles are available. For example, by using one of the asymmetric optics, the beam angle can be directed forward, allowing the desired area to be illuminated from a façade wall or a pole.

The robust aluminum body ensures excellent heat dissipation and also serves as a supporting structure with high strength. It is equipped with a ventilation gland to balance pressure.

The aluminum NEWLED module provides better heat dissipation into the aluminum heat sink. Lower LED temperatures ensure a longer lifespan.

The IP65 protection rating makes it suitable for both indoor and outdoor use.

The VFF luminaire series is also available in DALI and 1-10V versions, enabling various control options, the use of modern functions, and further reduction of the energy consumption of the lighting system. The luminaires can be equipped with an emergency module.



*The luminaire's light beam can be directed using lenses, making it ideal for installation at various heights and in a range of settings.*

*The luminaire is equipped with a ventilation gland to equalize pressure.*



*The robust aluminum body ensures excellent heat dissipation while also serving as a supporting structure with high strength.*

### COLOR TEMPERATURE AND LUMINOUS FLUX

order no.	product code	beam angle	color temperature	CCT	luminous flux
54814-65	NL-VFF-463x320-100W-WC-c	120°	cold white	6 500 K	14 550 lm
54814-50	NL-VFF-463x320-100W-WD-c	120°	daylight white	5 000 K	15 320 lm
54814-40	NL-VFF-463x320-100W-WN-c	120°	normal white	4 000 K	15 320 lm
54814-30	NL-VFF-463x320-100W-WW-c	120°	warm white	3 000 K	14 090 lm
54814-27	NL-VFF-463x320-100W-WS-c	120°	ultra warm white	2 700 K	12 960 lm
54815-65	NL-VFF-463x320-100W-WC-90	90°	cold white	6 500 K	13 940 lm
54815-50	NL-VFF-463x320-100W-WD-90	90°	daylight white	5 000 K	14 680 lm
54815-40	NL-VFF-463x320-100W-WN-90	90°	normal white	4 000 K	14 680 lm
54815-30	NL-VFF-463x320-100W-WW-90	90°	warm white	3 000 K	13 510 lm
54815-27	NL-VFF-463x320-100W-WS-90	90°	ultra warm white	2 700 K	12 420 lm
54816-65	NL-VFF-463x320-100W-WC-60	60°	cold white	6 500 K	13 940 lm
54816-50	NL-VFF-463x320-100W-WD-60	60°	daylight white	5 000 K	14 680 lm
54816-40	NL-VFF-463x320-100W-WN-60	60°	normal white	4 000 K	14 680 lm
54816-30	NL-VFF-463x320-100W-WW-60	60°	warm white	3 000 K	13 510 lm
54816-27	NL-VFF-463x320-100W-WS-60	60°	ultra warm white	2 700 K	12 420 lm
54817-65	NL-VFF-463x320-100W-WC-T2	T2	cold white	6 500 K	13 790 lm
54817-50	NL-VFF-463x320-100W-WD-T2	T2	daylight white	5 000 K	14 520 lm
54817-40	NL-VFF-463x320-100W-WN-T2	T2	normal white	4 000 K	14 520 lm
54817-30	NL-VFF-463x320-100W-WW-T2	T2	warm white	3 000 K	13 360 lm
54817-27	NL-VFF-463x320-100W-WS-T2	T2	ultra warm white	2 700 K	12 290 lm
54818-65	NL-VFF-463x320-100W-WC-T3	T3	cold white	6 500 K	13 790 lm
54818-50	NL-VFF-463x320-100W-WD-T3	T3	daylight white	5 000 K	14 520 lm
54818-40	NL-VFF-463x320-100W-WN-T3	T3	normal white	4 000 K	14 520 lm
54818-30	NL-VFF-463x320-100W-WW-T3	T3	warm white	3 000 K	13 360 lm
54818-27	NL-VFF-463x320-100W-WS-T3	T3	ultra warm white	2 700 K	12 290 lm

Product code variants: -D ... DALI, -V ... 1-10V, -N ... emergency module

This product contains a light source with energy efficiency class C.