

NL-VFF-463x320-50W-xx-z

PRODUCT SPECIFICATIONS

Product code	NL-VFF-463x320-50W-xx-z
Voltage	105 V - 305 V
LED driver	Meanwell, Inventronics
System power	50 W
Max. qty on cir. br. 16A (C)	8 luminaires
Frequency	50–60 Hz
Power factor (PF)	0,95
LED type	Alder AS-5258WxA2-C2C210-0303
Number of LEDs	48 pcs
Beam angle	120°, 90°, 60°, T2, T3
PCB material	aluminum
Dimensions	463mm x 320mm x 85mm
Weight	4,8 kg
Protection	IP65
Ambient temperature (ta)	-20° C – +45° C
Lifetime (L80)	min. 80 000 h
Color rendering index	Ra>80
Color tolerance	3 SDCM
Housing color	grey



MADE IN EU

120°

90°

60°

T2

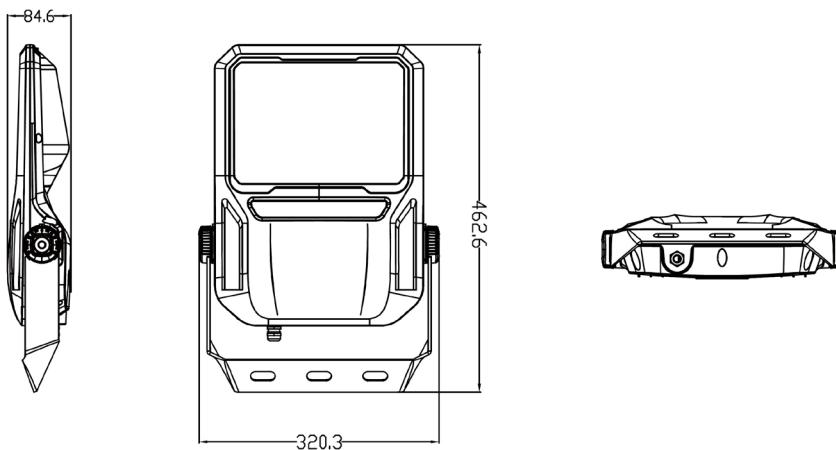
T3

IP65

DALI

1-10V

EMERG.



VFF 50W

OUTDOOR LUMINAIRE



PRODUCT FEATURES

The VFF luminaire is primarily designed for illuminating courtyards, squares, sports facilities, loading zones, and parking areas. It can also be used for lighting historical monuments and buildings, as well as for general lighting in industrial interiors.

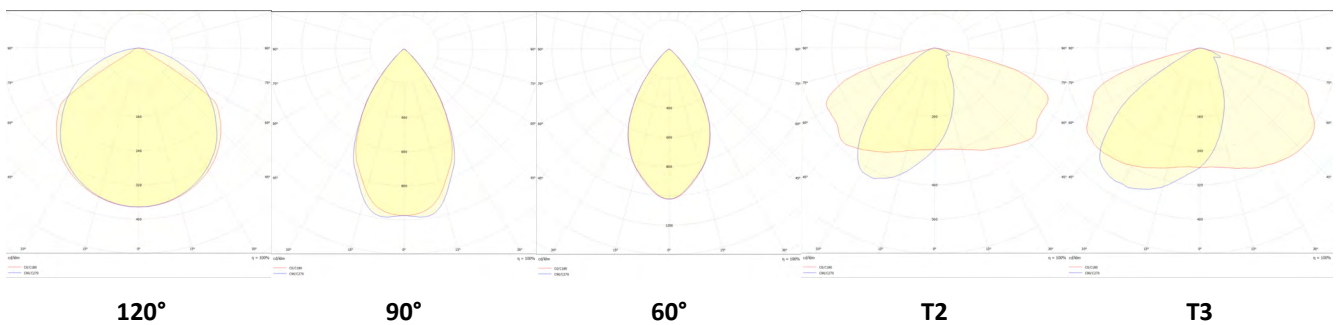
Various beam angles are available. For example, by using one of the asymmetric optics, the beam angle can be directed forward, allowing the desired area to be illuminated from a façade wall or a pole.

The robust aluminum body ensures excellent heat dissipation and also serves as a supporting structure with high strength. It is equipped with a ventilation gland to balance pressure.

The aluminum NEWLED module provides better heat dissipation into the aluminum heat sink. Lower LED temperatures ensure a longer lifespan.

The IP65 protection rating makes it suitable for both indoor and outdoor use.

The VFF luminaire series is also available in DALI and 1-10V versions, enabling various control options, the use of modern functions, and further reduction of the energy consumption of the lighting system. The luminaires can be equipped with an emergency module.



The luminaire's light beam can be directed using lenses, making it ideal for installation at various heights and in a range of settings.

The luminaire is equipped with a ventilation gland to equalize pressure.



The robust aluminum body ensures excellent heat dissipation while also serving as a supporting structure with high strength.

COLOR TEMPERATURE AND LUMINOUS FLUX

order no.	product code	beam angle	color temperature	CCT	luminous flux
54800-65	NL-VFF-463x320-50W-WC-c	120°	cold white	6 500 K	7 380 lm
54800-50	NL-VFF-463x320-50W-WD-c	120°	daylight white	5 000 K	7 770 lm
54800-40	NL-VFF-463x320-50W-WN-c	120°	normal white	4 000 K	7 770 lm
54800-30	NL-VFF-463x320-50W-WW-c	120°	warm white	3 000 K	7 150 lm
54800-27	NL-VFF-463x320-50W-WS-c	120°	ultra warm white	2 700 K	6 580 lm
54801-65	NL-VFF-463x320-50W-WC-90	90°	cold white	6 500 K	7 100 lm
54801-50	NL-VFF-463x320-50W-WD-90	90°	daylight white	5 000 K	7 470 lm
54801-40	NL-VFF-463x320-50W-WN-90	90°	normal white	4 000 K	7 470 lm
54801-30	NL-VFF-463x320-50W-WW-90	90°	warm white	3 000 K	6 870 lm
54801-27	NL-VFF-463x320-50W-WS-90	90°	ultra warm white	2 700 K	6 320 lm
54802-65	NL-VFF-463x320-50W-WC-60	60°	cold white	6 500 K	7 100 lm
54802-50	NL-VFF-463x320-50W-WD-60	60°	daylight white	5 000 K	7 470 lm
54802-40	NL-VFF-463x320-50W-WN-60	60°	normal white	4 000 K	7 470 lm
54802-30	NL-VFF-463x320-50W-WW-60	60°	warm white	3 000 K	6 870 lm
54802-27	NL-VFF-463x320-50W-WS-60	60°	ultra warm white	2 700 K	6 320 lm
54803-65	NL-VFF-463x320-50W-WC-T2	T2	cold white	6 500 K	7 020 lm
54803-50	NL-VFF-463x320-50W-WD-T2	T2	daylight white	5 000 K	7 390 lm
54803-40	NL-VFF-463x320-50W-WN-T2	T2	normal white	4 000 K	7 390 lm
54803-30	NL-VFF-463x320-50W-WW-T2	T2	warm white	3 000 K	6 800 lm
54803-27	NL-VFF-463x320-50W-WS-T2	T2	ultra warm white	2 700 K	6 260 lm
54804-65	NL-VFF-463x320-50W-WC-T3	T3	cold white	6 500 K	7 020 lm
54804-50	NL-VFF-463x320-50W-WD-T3	T3	daylight white	5 000 K	7 390 lm
54804-40	NL-VFF-463x320-50W-WN-T3	T3	normal white	4 000 K	7 390 lm
54804-30	NL-VFF-463x320-50W-WW-T3	T3	warm white	3 000 K	6 800 lm
54804-27	NL-VFF-463x320-50W-WS-T3	T3	ultra warm white	2 700 K	6 260 lm

Product code variants: -D ... DALI, -V ... 1-10V, -N ... emergency module

This product contains a light source with energy efficiency class C.