

VFF 125W

OUTDOOR LUMINAIRE



NL-VFF-488x385-125W-xx-z

PRODUCT SPECIFICATIONS

Product code	NL-VFF-488x385-125W-xx-z
Voltage	105 V - 305 V
LED driver	Meanwell, Inventronics
System power	125 W
Max. qty on cir. br. 16A (C)	8 luminaires
Frequency	50–60 Hz
Power factor (PF)	0,95
LED type	Alder AS-5258WxA2-C2C210-0303
Number of LEDs	60 pcs
Beam angle	120°, 90°, 60°, T2, T3
PCB material	aluminum
Dimensions	488mm x 385mm x 93mm
Weight	6,7 kg
Protection	IP65
Ambient temperature (ta)	-20° C – +45° C
Lifetime (L80)	min. 80 000 h
Color rendering index	Ra>80
Color tolerance	3 SDCM
Housing color	grey



MADE IN EU

120°

90°

60°

T2

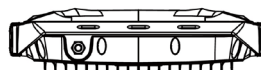
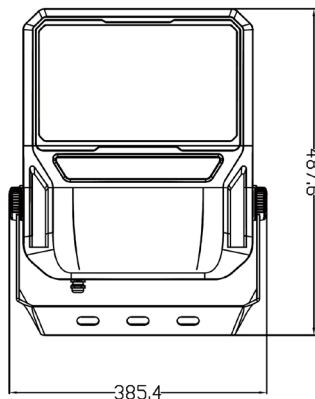
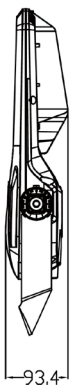
T3

IP65

DALI

1-10V

EMERG.



VFF 125W

OUTDOOR LUMINAIRE



PRODUCT FEATURES

The VFF luminaire is primarily designed for illuminating courtyards, squares, sports facilities, loading zones, and parking areas. It can also be used for lighting historical monuments and buildings, as well as for general lighting in industrial interiors.

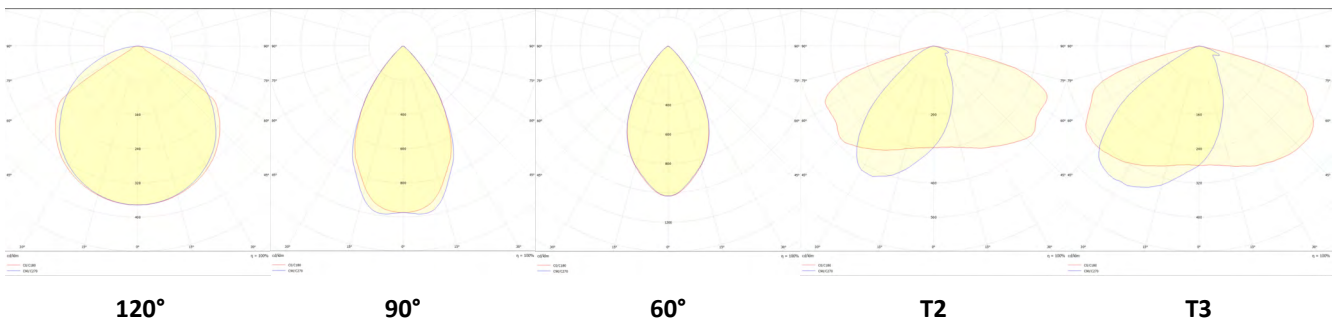
Various beam angles are available. For example, by using one of the asymmetric optics, the beam angle can be directed forward, allowing the desired area to be illuminated from a façade wall or a pole.

The robust aluminum body ensures excellent heat dissipation and also serves as a supporting structure with high strength. It is equipped with a ventilation gland to balance pressure.

The aluminum NEWLED module provides better heat dissipation into the aluminum heat sink. Lower LED temperatures ensure a longer lifespan.

The IP65 protection rating makes it suitable for both indoor and outdoor use.

The VFF luminaire series is also available in DALI and 1-10V versions, enabling various control options, the use of modern functions, and further reduction of the energy consumption of the lighting system. The luminaires can be equipped with an emergency module.



The luminaire's light beam can be directed using lenses, making it ideal for installation at various heights and in a range of settings.

The luminaire is equipped with a ventilation gland to equalize pressure.



The robust aluminum body ensures excellent heat dissipation while also serving as a supporting structure with high strength.

VFF 125W

OUTDOOR LUMINAIRE



COLOR TEMPERATURE AND LUMINOUS FLUX

order no.	product code	beam angle	color temperature	CCT	luminous flux
54821-65	NL-VFF-488x385-125W-WC-c	120°	cold white	6 500 K	18 190 lm
54821-50	NL-VFF-488x385-125W-WD-c	120°	daylight white	5 000 K	19 150 lm
54821-40	NL-VFF-488x385-125W-WN-c	120°	normal white	4 000 K	19 150 lm
54821-30	NL-VFF-488x385-125W-WW-c	120°	warm white	3 000 K	17 620 lm
54821-27	NL-VFF-488x385-125W-WS-c	120°	ultra warm white	2 700 K	16 210 lm
54822-65	NL-VFF-488x385-125W-WC-90	90°	cold white	6 500 K	17 430 lm
54822-50	NL-VFF-488x385-125W-WD-90	90°	daylight white	5 000 K	18 350 lm
54822-40	NL-VFF-488x385-125W-WN-90	90°	normal white	4 000 K	18 350 lm
54822-30	NL-VFF-488x385-125W-WW-90	90°	warm white	3 000 K	16 880 lm
54822-27	NL-VFF-488x385-125W-WS-90	90°	ultra warm white	2 700 K	15 530 lm
54823-65	NL-VFF-488x385-125W-WC-60	60°	cold white	6 500 K	17 430 lm
54823-50	NL-VFF-488x385-125W-WD-60	60°	daylight white	5 000 K	18 350 lm
54823-40	NL-VFF-488x385-125W-WN-60	60°	normal white	4 000 K	18 350 lm
54823-30	NL-VFF-488x385-125W-WW-60	60°	warm white	3 000 K	16 880 lm
54823-27	NL-VFF-488x385-125W-WS-60	60°	ultra warm white	2 700 K	15 530 lm
54824-65	NL-VFF-488x385-125W-WC-T2	T2	cold white	6 500 K	17 240 lm
54824-50	NL-VFF-488x385-125W-WD-T2	T2	daylight white	5 000 K	18 150 lm
54824-40	NL-VFF-488x385-125W-WN-T2	T2	normal white	4 000 K	18 150 lm
54824-30	NL-VFF-488x385-125W-WW-T2	T2	warm white	3 000 K	16 700 lm
54824-27	NL-VFF-488x385-125W-WS-T2	T2	ultra warm white	2 700 K	15 360 lm
54825-65	NL-VFF-488x385-125W-WC-T3	T3	cold white	6 500 K	17 240 lm
54825-50	NL-VFF-488x385-125W-WD-T3	T3	daylight white	5 000 K	18 150 lm
54825-40	NL-VFF-488x385-125W-WN-T3	T3	normal white	4 000 K	18 150 lm
54825-30	NL-VFF-488x385-125W-WW-T3	T3	warm white	3 000 K	16 700 lm
54825-27	NL-VFF-488x385-125W-WS-T3	T3	ultra warm white	2 700 K	15 360 lm

Product code variants: -D ... DALI, -V ... 1-10V, -N ... emergency module

This product contains a light source with energy efficiency class C.